



# ARTICULATED LOADER GEHL

AL 340

AL 540



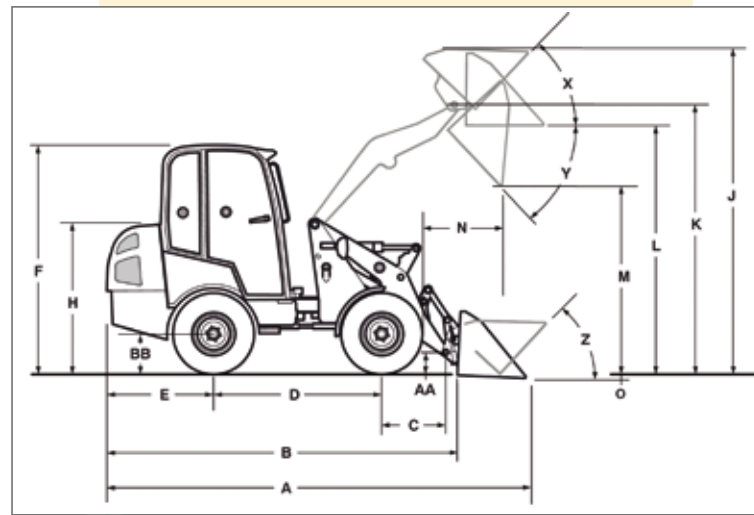
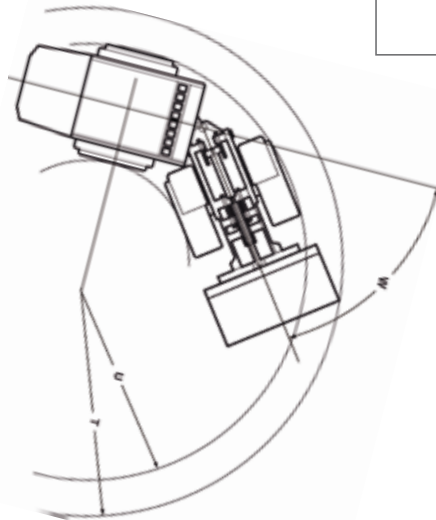
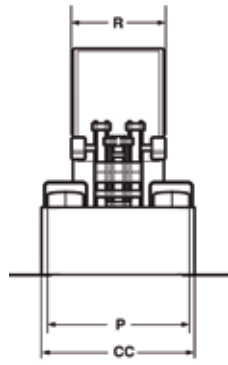
Your responsible dealer:

GEHL Europe GmbH  
PO BOX 1254  
48483 Neuenkirchen  
Germany  
Tel. [0049] 5973 63 302  
Fax [0049] 5973 63 303  
e-mail: [info@gehl.de](mailto:info@gehl.de)  
[www.gehl.de](http://www.gehl.de)

WITH  
CABIN

## AL 340 / AL 540 CABIN VERSION MEASUREMENTS

	AL 340	AL 540
A:	3.975 mm	4.490 mm
B:	3.365 mm	3.815 mm
C:	515 mm	740 mm
D:	1.640 mm	1.720 mm
E:	1.051 mm	1.200 mm
F:	2.255 mm	2.295 mm
H:	1.450 mm	1.487 mm
J:	3.310 mm	3.603 mm
K:	2.845 mm	3.053 mm
L:	2.620 mm	2.823 mm
M:	2.095 mm	2.215 mm
N:	135 mm	267 mm
P:	1.065 mm	1.400 mm
R:	1.025 mm	1.080 mm
S:	235 mm	246 mm
T:	2.870 mm	3.255 mm
U:	2.520 mm	2.795 mm
W:	46°	45°
BB:	370 mm	385 mm
CC:	1.150 mm	1.500 mm



## AL 340 / AL 540 CABIN VERSION STANDARD FEATURES

- Hydrostatic automotive drive by cardan shift
- 2-speed drive control
- Manual throttle control
- Tilttable allweather deluxe cabin, 2 doors, 4 working headlights, rear view mirrors on both sides, front and rear wipers
- 100% differential lock, electrically switchable (both axles)
- Hydraulic operated skid loader universal quick-attach system (SAE)
- Comfort seat with seatbelt
- Tilttable deluxe steering column
- Single joystick control with arm-rest
- Dual lift arm float position
- Easy disconnect of attachment hoses through special "float" position in hydraulic circuit
- Aux. hydraulic controls to allow for continuous running of attachments
- Hourmeter
- Fuel gauge
- Battery-disconnect switch
- Service brake: hydrostatic traction drive acting on all 4 wheels
- Central service and parking brake in the drive train acting on all 4 wheels (non wearing)
- Tilttable operator station
- Check plugs for measuring hydraulic pressure of hydraulic components
- Control board for electrical connections
- Trailer hitch
- Drip free flat face coupler

## AL 340 / AL 540 CABIN VERSION SPECIFICATIONS

	AL 340 CABIN	AL 540 CABIN
<b>ENGINE</b>	YANMAR	YANMAR
Type	3TNV 88 - BKGWL	4TNV 88 - BKGWL
Cylinders	3	4
Engine output	26 kW/34,9 HP	34,8 kW/46,7 HP
Rated speed	2.800 rpm	2.800 rpm
Displacement	1.642 cm <sup>3</sup>	2.190 cm <sup>3</sup>
<b>WEIGHTS</b>		
Operating weight	2.561 kg	3.267 kg
<b>MACHINE</b>		
Tipping load, straight	1.811 kg	1.920 kg
Tipping load, articulated	1.198 kg	1.305 kg
Break-out force	2.482 kg	4.164 kg
<b>HYDRAULICS</b>		
Loader circuit pump	44 l/min	55 l/min
System pressure	207 bar	207 bar
<b>DRIVE HYDRAULICS</b>		
Hydraulic system	79 l/min	119 l/min
System pressure	350 bar	410 bar
Hydraulic reservoir	26 l	40 l
<b>ELECTRICAL SYSTEM</b>		
Battery	74 Ah	74 Ah
Voltage	12 Volt	12 Volt
<b>MISCELLANEOUS</b>		
Fuel tank	56 l	67 l
Travelling speed	0 - 20 km/h	0 - 20 km/h
Tyres Standard	10x16.5 EM	12x16.5 HE
ROPS / CABIN	CABIN	CABIN